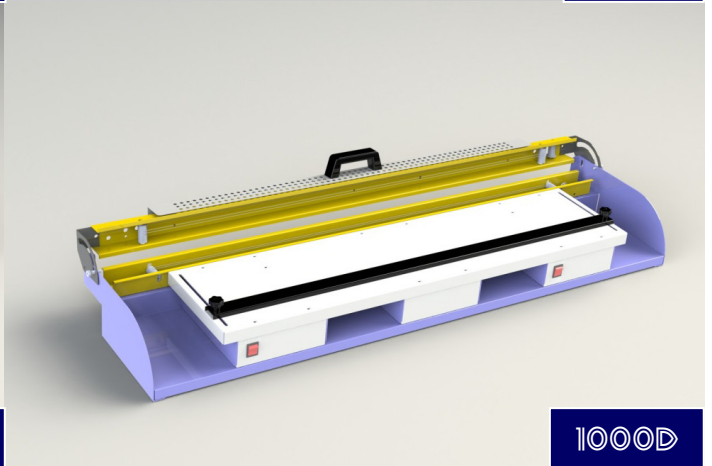
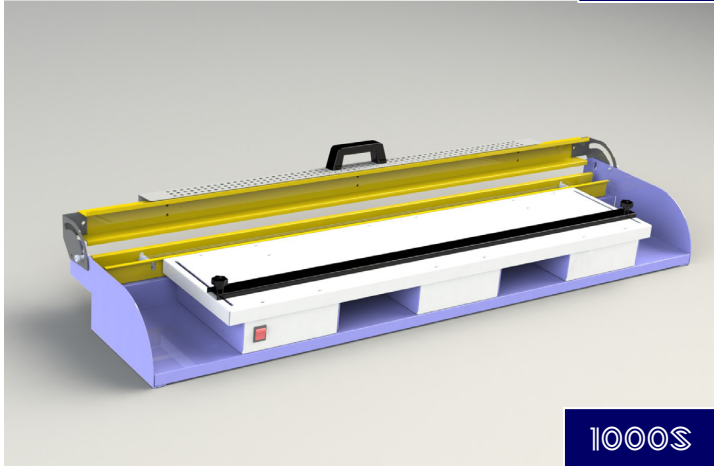
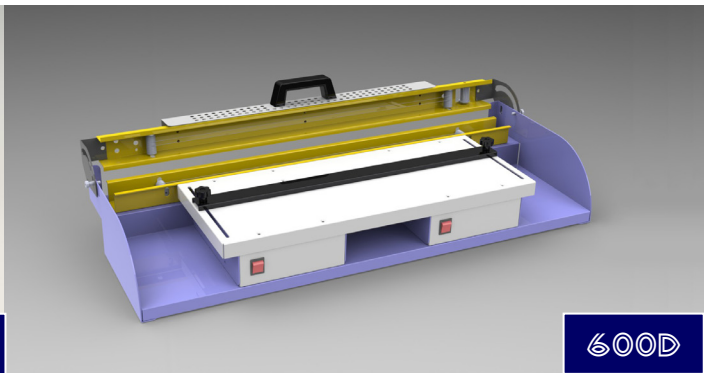
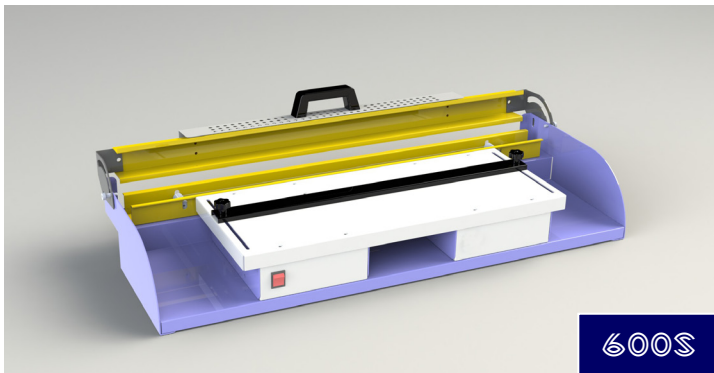


Operating & Maintenance Instructions

600/1000 S and D Range of Hot Wire Strip Heaters

Table of Contents

1. INTRODUCTION	2
2. HEALTH & SAFETY INFORMATION	2
3. UNPACKING & LOCATION	3
4. ELECTRICAL SUPPLY & CONNECTION.....	4
5. MACHINE CONTROLS	5
6. PRODUCING A BEND	6
7. REMOVING AND CHANGING HEATING WIRES.....	7
8. MAINTENANCE	8



1. Introduction

This range of Hot Wire Strip Heaters provides a quick and efficient solution for the local heating of thermoplastic sheets of up to 10mm (3/8") in thickness. It uses single sided (600S and 1000S) or double sided (600D and 1000D) multiple wire heating.

2. Health & Safety Information

The heater beams of these Strip Heaters can get hot in operation. Therefore, protective gloves and long sleeves should be worn to prevent local burns.

Always switch the machine off at the Mains Switch before carrying out any adjustments.

These machines are intended to be used for the heating of thermoformable thermoplastic materials only. Only heat materials from known sources. If in doubt please refer to the Material Safety Data Sheet or contact the manufacturer or their local representative before processing on the machine.

Never leave the machine unattended while it is heating material.

Should there be any specific queries regarding Health and Safety or any other aspects of your machine please contact the manufacturer or their appointed local distributor.

3. Unpacking & Location

Your new machine will reach you complete and ready to use. Upon receipt proceed as follows:

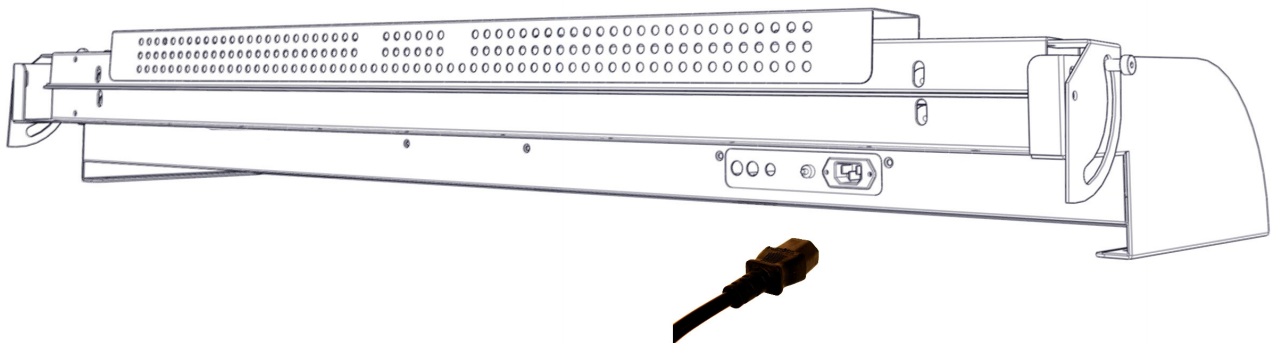
Unpack the machine.

Check for any signs of transit damage. All damages must be reported within 3 days of receipt.

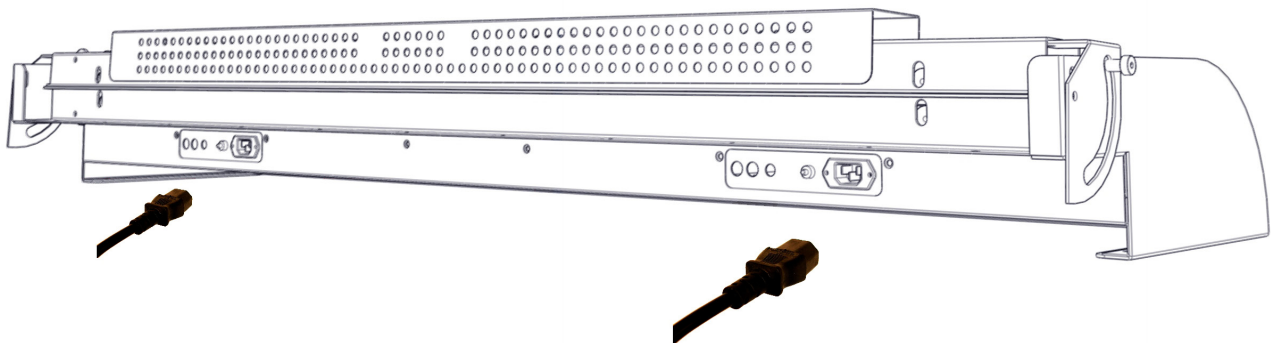
Position the machine as required. It is recommended that two people carry and position the machine.

Connect the mains lead to the rear of the machine.

600S/1000S



600D/1000D



4. Electrical Supply & Connection

The electrical specification of your new machine is as follows:-

	600S	600D	1000S	1000D
Voltage	220-240V	220-240V	220-240V	220-240V
Current	1A	2A	2A	4A
Watts (Max)	230	460	460	920

Electrical supply to the machine must be in accordance with the details shown on the rating label. As the colours of the wires in this mains lead may not correspond with the coloured markings identified in your plug appliance, should the plug need to be changed proceed as follows: -

Standard Specification

The wire that is coloured green and yellow must be connected to the terminal that is marked with the letter E or by the earth symbol or coloured green and yellow or green.

The wire that is coloured blue must be connected to the terminal that is marked with the letter N or coloured blue or black.

The wire that is coloured brown must be connected to the terminal that is marked with the letter L or coloured brown or red.

North American Specification

The wire that is coloured green must be connected to the terminal that is marked with the letter E or by the earth symbol or coloured green and yellow or green.

The wires that are coloured black and white must be connected to the silver coloured terminals.

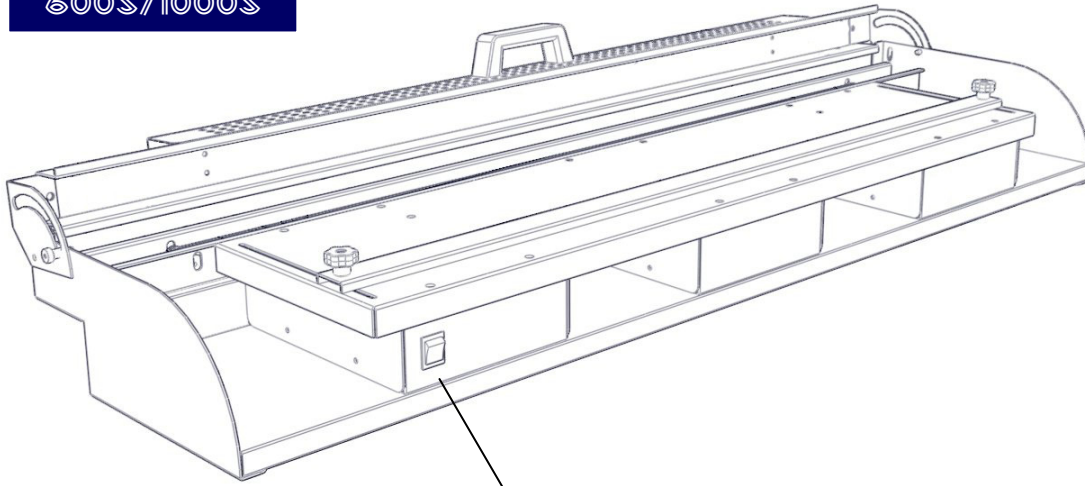
Polarity is unimportant.

Should there be any queries regarding the electrical requirements of your machine please refer back to the manufacturer or their nominated distributor.

5. Machine Controls

All machine controls are located on the front control panel.

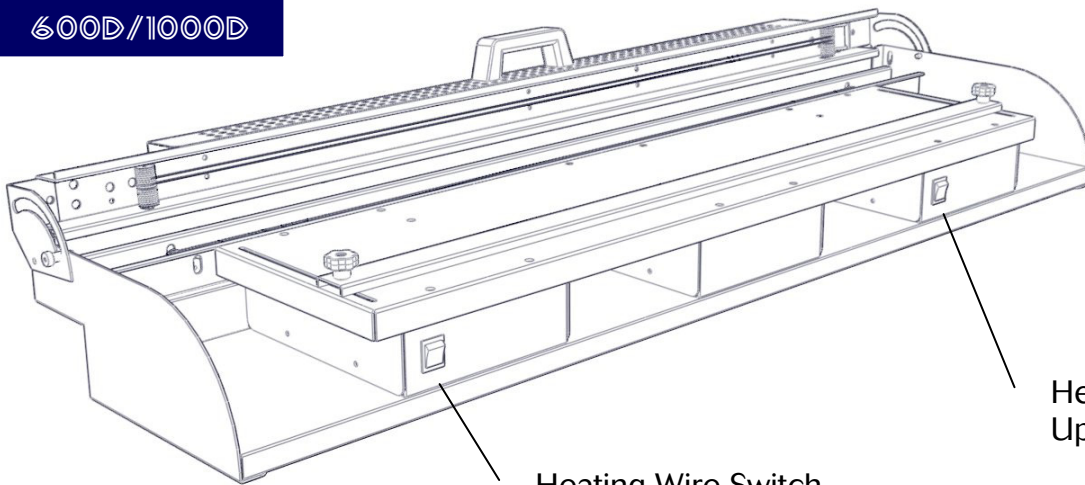
600S/1000S



Heating Wire Switch

Switches illuminate to indicate that wires are powered

600D/1000D



Heating Wire Switch
Lower Heater

Heating Wire Switch
Upper Heater

6. Producing a Bend

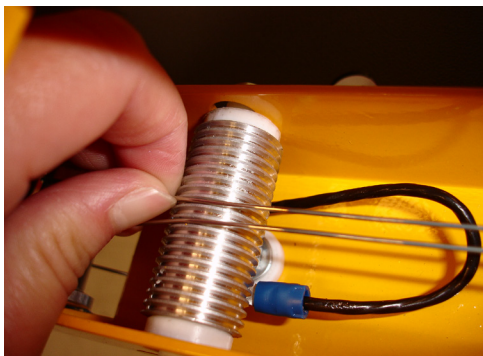
Ensure that the machine is connected as detailed in Sections 4.

1. Disconnect machine from the electrical supply. Set the required wire height at both ends of the Heater Beam

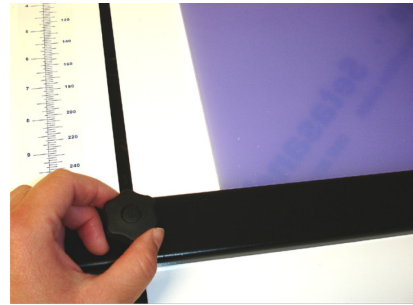


2. Set the wires into the appropriate grooves of the guides at each end of the heater beams. Should only one wire be required, the other one can be removed. See Section 7.

Note that the heating wires will be hot for around 30 seconds after switching the machine off.



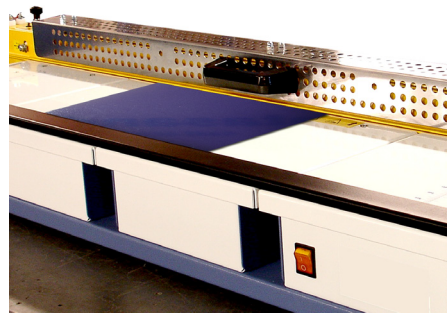
3. Set the Workstop to the correct position. The calibrated strips can be used as a guide.



4. Switch the machine on.



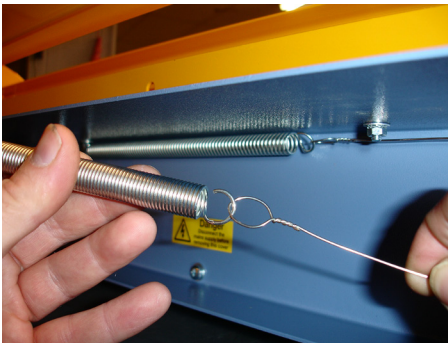
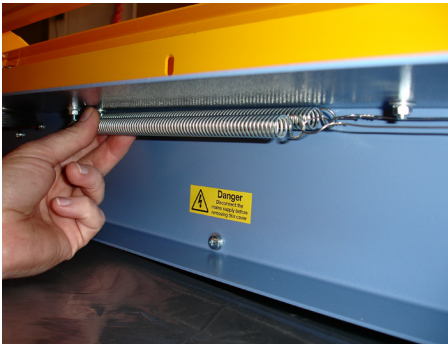
5. Load material and close clamp. Lift clamp periodically to check if material is ready for folding. When the material is ready, remove from machine, fold and allow to cool.



7. Removing and Changing Heating Wires

1. Disconnect the machine from the electrical supply.

2. At rear of machine, unhook the spring from the wire you wish to remove.



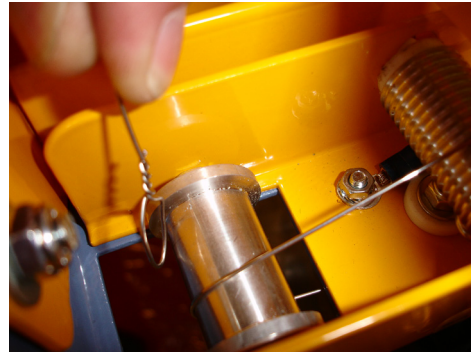
3. Remove wire from the machine.

4. To replace wire, make new heating wire with twisted loops in each end.

5. Hook wire over fixed wire post.



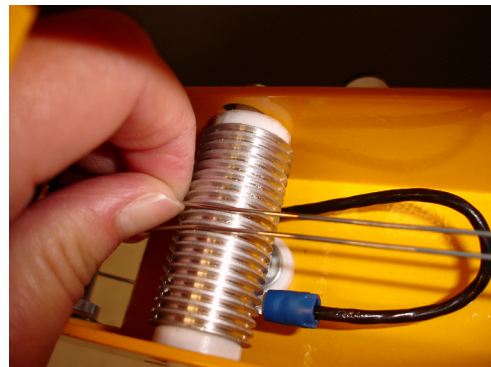
6. Feed wire around roller and attach spring



7. Attach spring and hook onto spring post.



8. Adjust wire into correct groove of wire guide.



8. Maintenance

Your new Strip Heater requires very little in the way of routine maintenance. Periodically ensure that external electrical connections are in good order. Clean the wire guides with a soft wire brush. Heating wires should be changed should they break or become too stretched. They should be replaced only with 20SWG 80/20 Ni-Chrome wire (C R Clarke Part Number WX02).

Should you have any queries regarding the maintenance of your machine, please refer back to the manufacturer or local distributor.