

# SUNNEX CL 9W / 11W

**Sunnex CL** is based on compact fluorescent tubes with long service life. Its 9W light source has roughly the same brightness as a 20W halogen light. The lamp head is available in two lengths, depending on the desired light output and it is made from extruded aluminium. The CL version is fitted with Sunnex's classic flexible gooseneck arm measuring 500 or 700 mm in length, and there is an integrated ballast in the base.

The lens produces a low glare factor and an even circle of soft light. The model is pure in style, easy to keep clean and takes up little room.

Suitable applications include measuring jigs and other heat-sensitive environments. Offices in general constitute another typical area of application. Sunnex CL is also chosen for large work surfaces, where a sharp contrast effect is to be avoided.

Available with a magnetic base, C-clamp, wall bracket or desktop base as optional accessories.

## Applications

- Workbenches
- Mounting Stations
- Inspection
- Laboratories
- Office Lighting

## Benefits

- Very low heat emission
- Minimal glare
- Low energy consumption
- Flexible arm for precise control
- Various brackets available



**TECHSPAN GROUP**

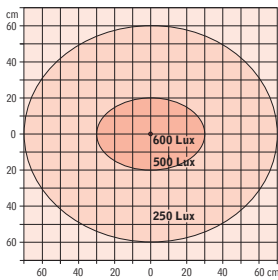
Australia: [info@techspan.com.au](mailto:info@techspan.com.au) [www.techspan.com.au](http://www.techspan.com.au)  
New Zealand: [info@techspan.co.nz](mailto:info@techspan.co.nz) [www.techspan.co.nz](http://www.techspan.co.nz)



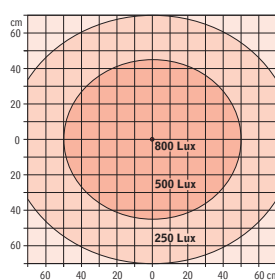
**Technical Specifications**

Supply voltage	230V
Light source	9W or 11W Compact Fluorescent tube
Lifetime, light source	10 000 h
Arm Length	500 or 700 mm
Colour	Black
Colour temperature	4000K
IP-rating	IP20
Protection Class	Class II
Power switch	Placed in the base
Base	Equipped with four mounting holes
Colour rendering index	CRI 85
Cable length	2 m

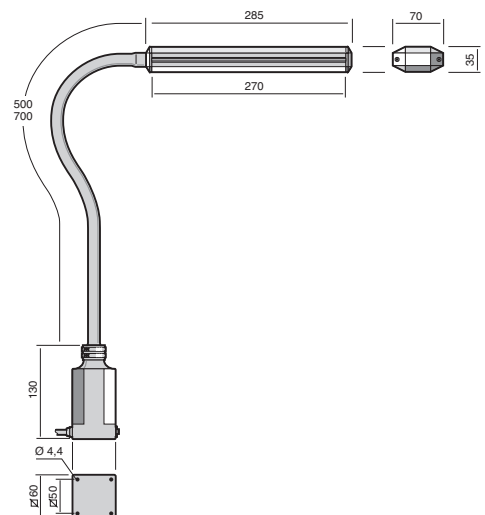
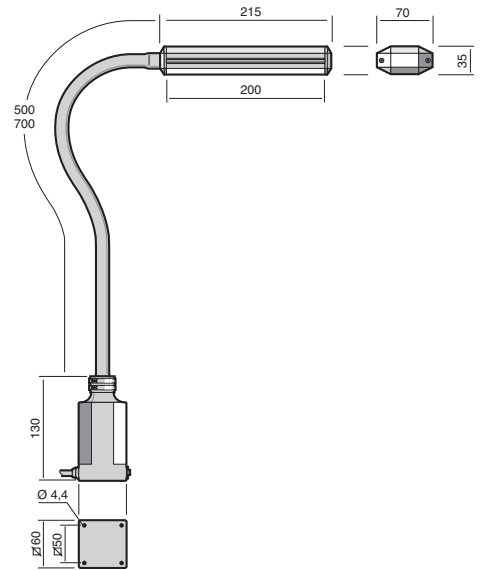
**Lux rating 9W - 0,5 m distance**



**Lux rating 11W - 0,5 m distance**



Model	Arm	Connection	Lamp power	Art. no.
CL Flex	500 mm	230V	9W	14810
			11W	14820
	700 mm	230V	9W	14860
			11W	14870



**Mounting Accessories**



Magnetic base  
12010

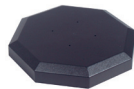


Table base  
14015



C-Clamp  
14020



Wall mount  
14030

More info about  
**Accessories**  
see separate leaflet  
[www.sunnex.se](http://www.sunnex.se)