

# SUNNEX HS 20W HALOGEN

**The shape** of the Sunnex HS, in combination with its robust design and simple adjustment, has made the lamp a reliable industrial light for over 30 years.

Sunnex HS is fitted with Sunnex's classic flexible arm which is of extremely high quality and the lamp produces a extremely well focused spot light. Sunnex HS comes with either an integral transformer or in a low-voltage version for direct connection to machinery.

The light can also be supplied with a dimmer, and is available sealed to safety class IP20 or IP65. Sunnex HS is available with a 500 or 700 mm flexible, bendable arm, as well as in the form of a spot with both single and double joint.

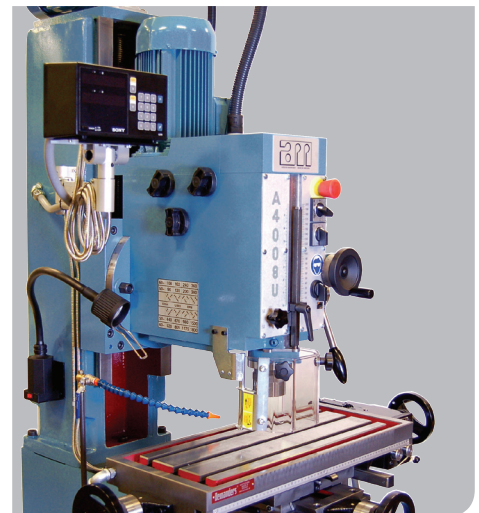
Examples of applications include spot lighting for manufacturing machines, machine tools, the graphic design, assembly work and precision mechanical work.

## Applications

- Workshop Machinery
- Machine tools
- Point Lighting
- Monitoring and Inspection
- Assembly Work

## Benefits

- Well-focused spot light
- Flexible arm for precise control
- With or without a joint in the lamp head
- Ergonomic design
- Various brackets available

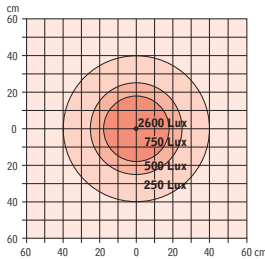




**Technical Specifications**

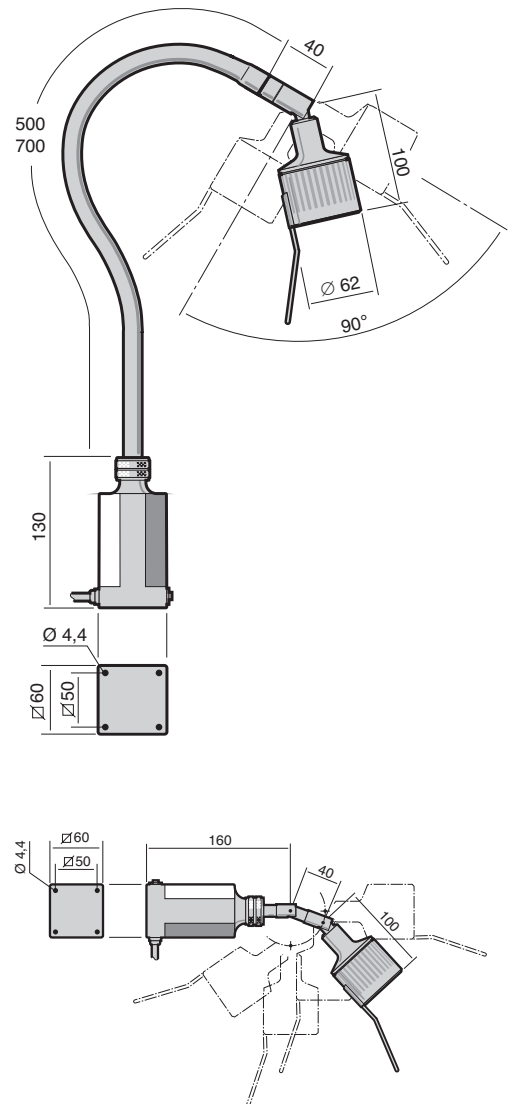
Supply voltage	230V/12V, 12V, 24V
Light source	Halogen 12V/24V/20W
Lifetime, light source	4 000 h
Lamp head	With or without joint
Lens	Clear
Arm Length	500, 700 mm or spot
Colour	Black
Colour temperature	3000K
IP-rating	IP20
Protection Class	Class II
Power switch	Placed in the base
Base	Equipped with four mounting holes
Colour rendering index	CRI 100
Cable length	2 m

**Lux rating - 0,5 m distance**



Model	Arm	Connection	Art. no.
HS - Flex	500 mm	230V	14100
		12V	14300
		24V	14400
HS - Spot	Single joint	230V	14160
		12V	14360
		24V	14460

For complete HS standard range, please see next page



**Mounting Accessories**



Magnetic base  
14000

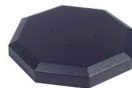


Table base  
14015



C-Clamp  
14020



Wall mount  
14030

More info about  
Accessories  
see separate leaflet  
[www.sunnex.se](http://www.sunnex.se)



## COMPLETE STANDARD RANGE, HS - FLEX 20W

Arm	Connection	Other	Art. no.	
500 mm	230V		14100	
		Joint	14110	
	12V		14300	
		Dimmer	14300DIM	
		IP65	14300IP65	
		Joint	14310	
		Joint/Dimmer	14310DIM	
		24V		14400
		Dimmer	14400DIM	
		IP65	14400IP65	
		Joint	14410	
		Joint/Dimmer	14410DIM	
	700 mm	230V		14120
			Joint	14130
12V			14320	
		Dimmer	14320DIM	
		IP65	14320IP65	
		Joint	14330	
		Joint/Dimmer	14330DIM	
		24V		14420
		Dimmer	14420DIM	
		IP65	14420IP65	
		Joint	14430	
		Joint/Dimmer	14430DIM	

## COMPLETE STANDARD RANGE, HS - SPOT 20W

Joint	Connection	Art. no.
Single	230V	14160
	12V	14360
	24V	14460
Double	230V	14163
	12V	14363
	24V	14463