

# SUNNEX RLM 22W

**Sunnex RLM** is a magnifying light with superior light intensity for detailed inspection. The magnification is 5 diopter (2,25X) and the light source is a 22W fluorescent ring light with low heat emission. The arm has adjustable joints for easy and safe positioning, and two versions are offered, a c-clamp version and a mobile version. As an option there is an add-on lens (2,25X) available. Sunnex RLM is pure in style, easy to keep clean and takes up little room.

## Applications

- Inspection Work
- Assembly Work
- Laboratories
- Workbenches

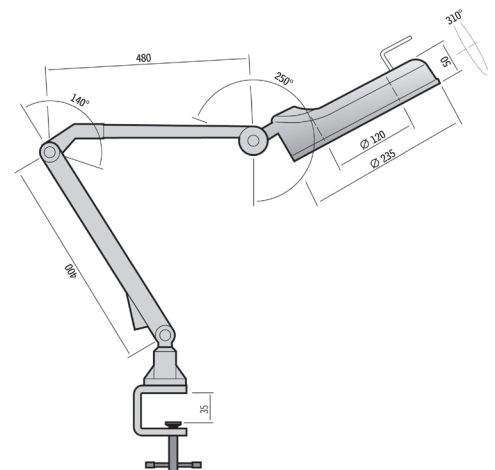
## Benefits

- Magnification 2.25 times
- Adjustable joints in arm
- Adjustable lamp head
- Low heat emission

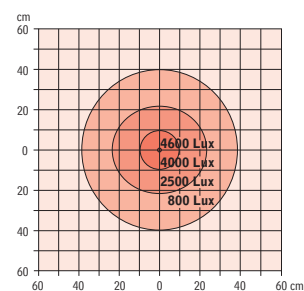
## Technical Specifications

Supply voltage	230V/AC/50 Hz
Light source	22W fluorescent ring tube
Lifetime, light source	15 000 h
Lamp head	With joint
Lens	Matt
Arm Length	880 mm
Colour	White
Colour temperature	4000K
Protection Class	Class I
Power switch	Placed on the arm
Base	C-clamp or mobile floor unit
Colour rendering index	Ra 85
Cable length	1,8 m

Version	Connection	Lamp	Art. no.
C-clamp	230V	22W	RLM-CL-230V
Mobile	230V	22W	RLM-CLT-230V
Add-on lens 2,25x			RLM-5XMAG



## Lux rating - 0,15 m distance



**TECHSPANGROUP**

Australia: [info@techspan.com.au](mailto:info@techspan.com.au) [www.techspan.com.au](http://www.techspan.com.au)

New Zealand: [info@techspan.co.nz](mailto:info@techspan.co.nz) [www.techspan.co.nz](http://www.techspan.co.nz)