

SOLUS 6

Solus 6-series is suitable for industrial environments. The IP65 version is particularly adapted to harsh environments where dust and moisture resistance is vital. Typical applications: grinders, lathes, drilling machines and outdoor use. Solus 6-series spotlights have a flexible gooseneck style arm available in two lengths. It can be supplied with a 100-240V AC/DC-adaptor.

Solus 6-series is equipped with high intensity LED's having a colour temperature of 4000K which is suitable for demanding tasks. LED technology delivers low energy consumption and a long service life as well as high vibration durability and virtually no radiated heat from the light beam.

The lamp head is made from Aluminium which allows good heat dissipation and protection against the tough environments it will be subjected to in industrial applications.

Custom versions available upon request.

Features Include:

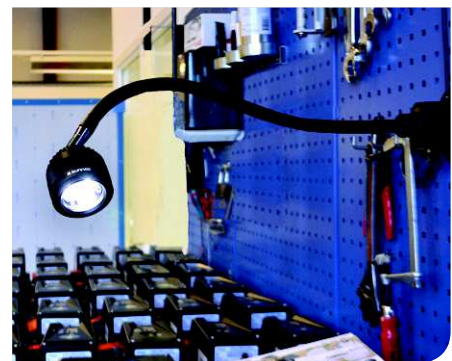
- LED Service life > 30.000h
- IP20/IP65
- 50/70 cm with Swivel joint 12-24V (Standard)
- 50/70 cm without joint IP65 12-24V
- Plugin AC/DC-Adaptor 100-240/12V, IP44 available as accessor

Applications:

- Focused task light for industrial applications
- Tasklight for vehicles
- Marine applications

Benefits:

- High quality materials
- Efficient light pattern
- Rugged flexible arm
- Durable design
- High Colour rendering



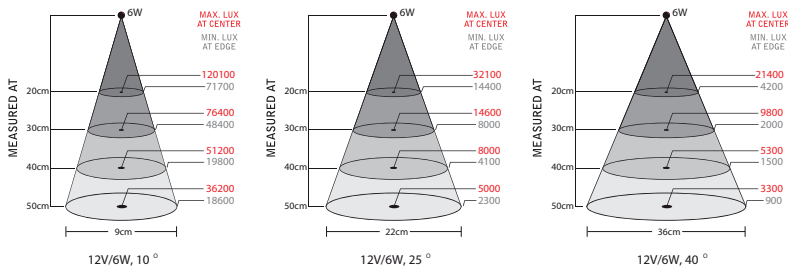
TECHSPAN GROUP

Australia: info@techspan.com.au www.techspan.com.au
 New Zealand: info@techspan.co.nz www.techspan.co.nz

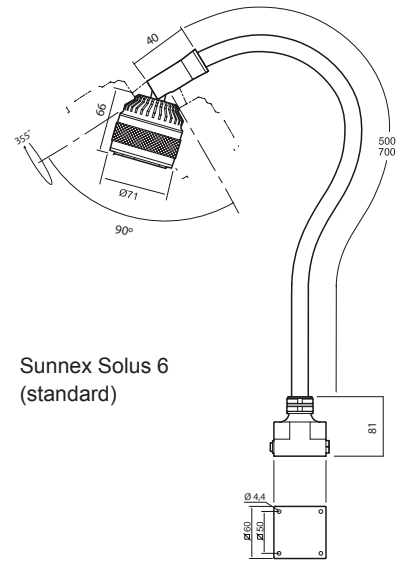


Technical Specifications

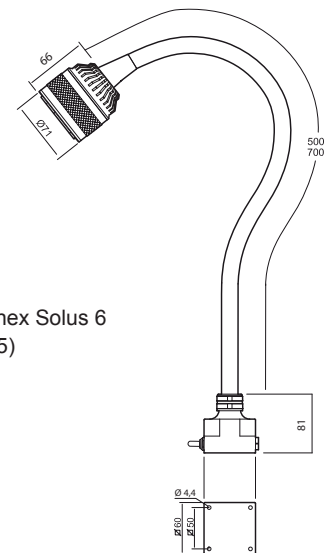
Supply voltage	12-24V AC/DC, 2m cordset (100-240VAC) Plugin AC/DC-adaptor available, IP44)
Power consumption	5,5 W
Arm length	500 or 700 mm
Colour	Black
Colour temperature	4000K
IP-rating	IP20 or IP65
Protection Class	Class III
Beam angle	10° std, 25° or 40° as accessory
Light output	300Lm, 36 000Lx at 50cm distance (10°)
Colour rendering index	CRI: 92
Weight	1,2kg 50cm, 1,4kg 70cm
Life span	>30.000h



Model	Arm	Connection	Other	Part. no.
Solus 6	500 mm	12-24V AC/DC	Joint	33610
	700 mm		IP65	33605
			Joint	33630
	IP65		33625	



Sunnex Solus 6 (standard)



Sunnex Solus 6 (IP65)

PSU (100-240V~)



Plug-in Adaptor for Europe 230V
33901

Mounting Accessories



Magnetic base
12010



Table base
14015



C-Clamp
14020



Wall mount
14030

More info about
Accessories
See separate leaflet
www.sunnex.se