

SUNNEX HM 35W HALOGEN

Sunnex HM is a small and effective workplace light which produces good, concentrated light. With a small external dimensions and flexible setting options,

Sunnex HM blends in well in the working environment. Sunnes HM has an integral electronic transformer, but is also available in a low-voltage version for direct connection to machinery. The flexible arm is of high quality, and is available in 500 and 700 mm long versions. The lamp head is made of impact-resistant thermosetting plastic and supplied with ventilation holes which efficiently dissipate heat from the halogen bulb.

Examples of applications include spotlighting for manufacturing machinery and machine tools, as well as for precision mechanical work. Available with a magnetic base, C-clamp, wall bracket or desktop base as mounting accessories.

Applications

- Workshop Machinery
- Machine tools
- Point Lighting
- Monitoring and Inspection
- Assembly Work

Benefits

- Well-focused spot light
- Flexible arm for precise control
- With or without a joint in the lamp head
- Ergonomic design
- Various brackets available



TECHSPANGROUP

Australia: info@techspan.com.au www.techspan.com.au

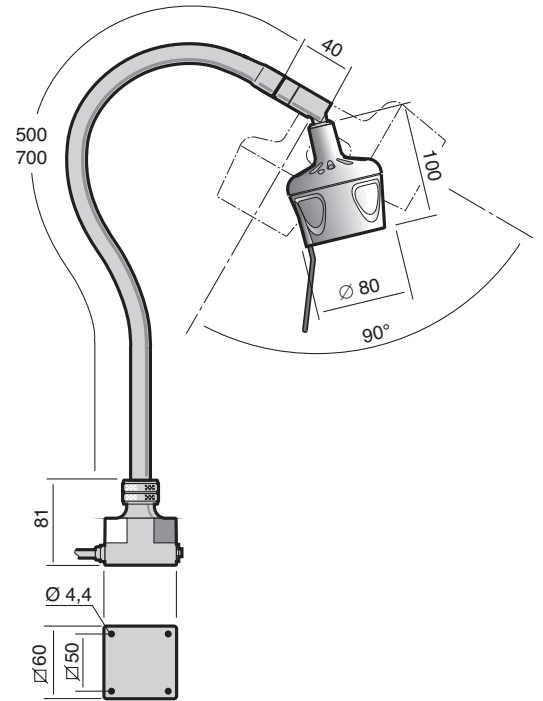
New Zealand: info@techspan.co.nz www.techspan.co.nz



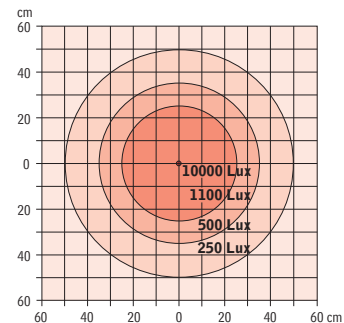
Technical Specifications

Supply voltage	230V/12V, 12V, 24V
Light source	Halogen 12V/24V/35W
Lifetime, light source	4 000 h
Lamp head	With or without joint
Lens	Matt
Arm Length	500 or 700 mm
Colour	Black
Colour temperature	3000K
IP-rating	IP20
Protection Class	Class II
Power switch	Placed in the base
Base	Equipped with four mounting holes
Colour rendering index	CRI 100
Cable length	2 m

Model	Arm	Connection	Other	Art. no.
HM 35 Flex	500 mm	230V		23001
			Joint	23004
		12V		23002
	700 mm	230V		23007
			Joint	23010
		12V		23008
	24V		23003	
		Joint	23006	
	24V		23009	
		Joint		23012



Lux rating - 0,5 m distance



Mounting Accessories



Magnetic base
14000

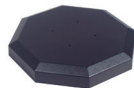


Table base
14015



C-Clamp
14020



Wall mount
14030

More info about
Accessories
see separate leaflet
www.sunnex.se