

BELT CONVEYORS

ND CONVEYOR

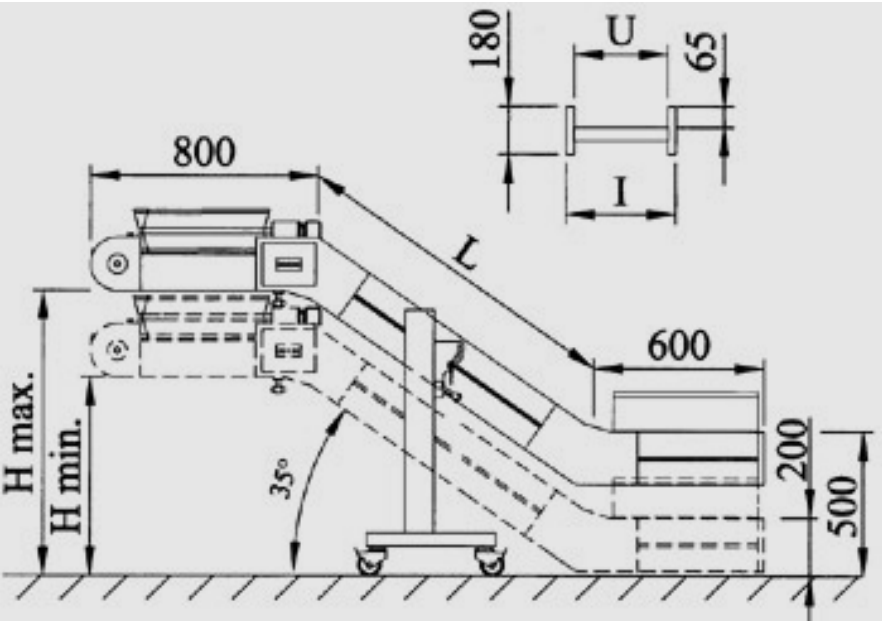
This belt is designed to be placed next to the processing machinery.

The flex positioning is fixed on this model.

See model NDS for adjustable flex positioning. A blade separator is supplied as standard equipment.



mod.	L	U	I	h min.	h max.
ND1	1300	250	305	700	1000
ND2	1300	350	405	700	1000
ND3	1300	450	505	700	1000
ND4	1800	250	305	1000	1300
ND5	1800	350	405	1000	1300
ND6	1800	450	505	1000	1300



www.techspanonline.com

Australia:
 P O Box 1012, Mascot, NSW 1460, Sydney
 Ph: 1-800 148 791 Fx: 1-800 148 799
 sales@techspanonline.com www.techspanonline.com

New Zealand:
 P O Box 15262, New Lynn, Auckland
 Ph: ++64 (09) 8276567 Fx: ++64 (09) 827 6596
 sales@techspanonline.com www.techspanonline.com